

Owner's Operating Service Instruction Manual

10¢

Model No.
114-530A

- ASSEMBLY
- OPERATION
- REPAIR PARTS

22" HI WHEEL ROTARY MOWER

WARRANTY

For one year from date of purchase, MTD Products Inc will replace for the original purchaser, free of charge, F.O.B. factory or authorized service firm, any part or parts found to be defective in material or workmanship. All transportation charges on parts submitted for replacement under this warranty must be paid by the purchaser. This warranty does not include replacement of parts which become inoperative through misuse, excessive use, accident, neglect, improper maintenance or alterations by unauthorized persons. This warranty does not include the engine, motor, battery, battery charger or any component parts thereof. For service on these units, refer to the applicable manufacturer's warranty.

The above warranty will apply only to the original owner and will be effective only if the warranty card has been properly processed. It will not apply where the unit has been used commercially.

Warranty service is available through your local authorized service dealer or distributor. **UNDER NO CIRCUMSTANCES WILL THE RETURN OF A COMPLETE UNIT BE ACCEPTED BY THE FACTORY UNLESS PRIOR WRITTEN PERMISSION HAS BEEN EXTENDED.**

I M P O R T A N T

SAFE OPERATION PRACTICES FOR WALK-BEHIND MOWERS

TRAINING

1. Read the Operating and Service Instruction Manual carefully. Be thoroughly familiar with the controls and the proper use of the equipment.
2. Never allow children to operate a power mower.
3. Keep the area of operation clear of all persons, particularly small children and pets.

PREPARATION

1. Thoroughly inspect the area where the equipment is to be used and remove all stones, sticks, wire, bones and other foreign objects.
2. Do not operate equipment when barefoot or wearing open sandals. Always wear substantial footwear.
3. Check the fuel before starting the engine. Do not fill the gasoline tank indoors, when the engine is running, or while the engine is still hot. Wipe off any spilled gasoline before starting the engine.
4. Disengage the self-propelled mechanism or drive clutch on units so equipped before starting the engine (motor).
5. Never attempt to make a wheel adjustment while the engine (motor) is running.
6. Mow only in daylight or in good artificial light.
7. Never operate the equipment in wet grass. Always be sure of your footing; keep a firm hold on the handle and walk, never run.

OPERATION

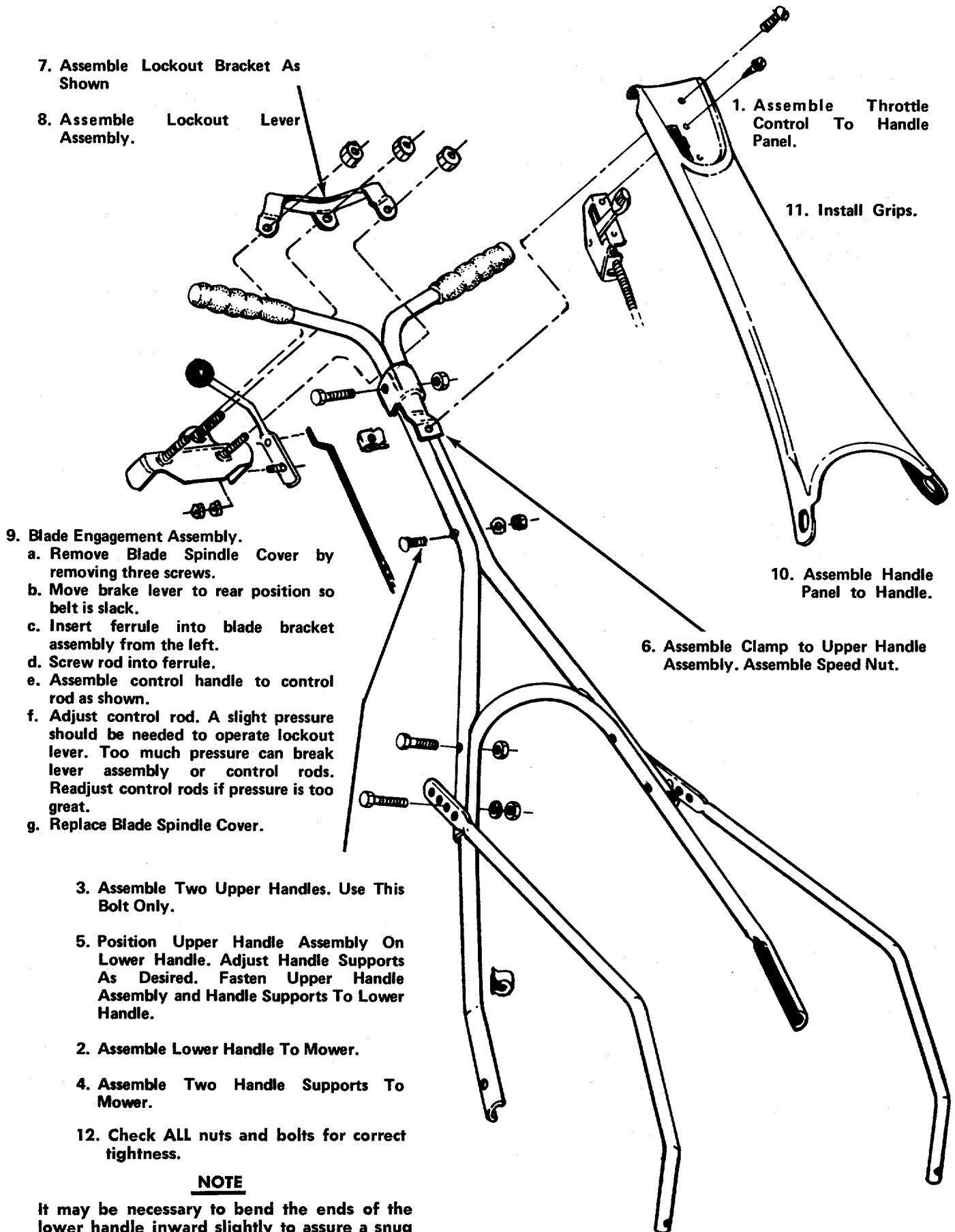
1. Do not change the engine governor settings or overspeed the engine.
2. Do not put hands or feet near or under rotating parts. Keep clear of the discharge opening at all times.
3. Stop the blade(s) when crossing gravel drive, walks or roads.
4. After striking a foreign object, stop the engine (motor), remove the wire from spark plug, thoroughly inspect the mower for any damage, and repair the damage before restarting and operating the mower.

5. If the equipment should start to vibrate abnormally, stop the engine (motor) and check immediately for the cause. Vibration is generally a warning of trouble.
6. Stop the engine (motor) whenever you leave the equipment, before cleaning the mower housing, and when making any repairs or inspections.
7. When cleaning, repairing or inspecting, make certain the blade and all moving parts have stopped. Disconnect the spark plug wire, and keep the wire away from the plug to prevent accidental starting.
8. Do not run the engine indoors.
9. Shut the engine (motor) off and wait until the blade comes to a complete stop before removing the grass catcher or unclogging chute.
10. Mow across the face of slopes, never up-and-down. Exercise extreme caution when changing direction on slopes. Do not mow excessively steep slopes.
11. Always disconnect electric mowers (line operated) before cleaning, repairing or adjusting.
12. Never operate mower without proper guards, plates or other safety protective devices in place.
13. Keep washout ports and other mower-housing service openings closed when mowing.

MAINTENANCE AND STORAGE

1. Check the blade and engine mounting bolts at frequent intervals for proper tightness.
2. Keep all nuts, bolts, and screws tight to be sure the equipment is in safe working condition.
3. Never store the equipment with gasoline in the tank inside of a building where fumes may reach an open flame or spark. Allow the engine to cool before storing in any enclosure.
4. To reduce fire hazard, keep the engine free of grass, leaves, or excessive grease.
5. Check the grass catcher bag frequently for wear or deterioration. Replace with new bag for safety protection.

Note: Follow Assembly Instructions In Numerical Order!



7. Assemble Lockout Bracket As Shown

8. Assemble Lockout Lever Assembly.

1. Assemble Throttle Control To Handle Panel.

11. Install Grips.

10. Assemble Handle Panel to Handle.

6. Assemble Clamp to Upper Handle Assembly. Assemble Speed Nut.

9. Blade Engagement Assembly.
- a. Remove Blade Spindle Cover by removing three screws.
 - b. Move brake lever to rear position so belt is slack.
 - c. Insert ferrule into blade bracket assembly from the left.
 - d. Screw rod into ferrule.
 - e. Assemble control handle to control rod as shown.
 - f. Adjust control rod. A slight pressure should be needed to operate lockout lever. Too much pressure can break lever assembly or control rods. Readjust control rods if pressure is too great.
 - g. Replace Blade Spindle Cover.

3. Assemble Two Upper Handles. Use This Bolt Only.

5. Position Upper Handle Assembly On Lower Handle. Adjust Handle Supports As Desired. Fasten Upper Handle Assembly and Handle Supports To Lower Handle.

2. Assemble Lower Handle To Mower.

4. Assemble Two Handle Supports To Mower.

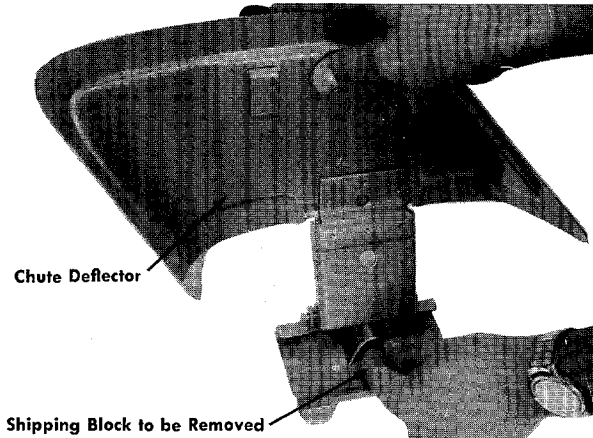
12. Check ALL nuts and bolts for correct tightness.

NOTE

It may be necessary to bend the ends of the lower handle inward slightly to assure a snug fit against the deck mounting area.

CAUTION

Please note that the chute deflector on your mower is in an upright position. It is held in that position by a shipping block. This block is used for shipping purposes only. It must be removed and discarded before your mower is put into operation.



NOTE

For shipping purposes your mower is set with the wheels in a low cutting height position. For best results raise the cutting position until it is determined which height is best for your lawn. See adjustments.

OPERATION

1. Before starting engine, check LUBRICATION INSTRUCTIONS.
2. Check lockout control handles for proper operation. If too great a pressure is needed to operate these controls, damage can be done to both the mechanism and the rods. Readjust so only slight pressure is needed to operate both the blade engaging control and the self-propelled lockout control. See ASSEMBLY INSTRUCTIONS Step 9.
3. Service engine with gasoline and oil. See engine instructions for complete care and maintenance of engine. READ DIRECTIONS CAREFULLY.
4. Be sure engine crankcase is filled to capacity with proper grade of oil.
5. Move both control handles to "OFF" position.
6. Move throttle control lever to "CHOKE" position.
7. Crank engine. Move throttle control lever to "FAST" position as soon as engine fires. Use choke as needed to keep engine running during warm up period.

8. Put blade into motion by moving blade control handle to "ON" position.

To engage the blade with the engine running . . .

- a. Move the throttle control lever to "FAST" position.
 - b. Engage the blade engagement handle SLOWLY.
 - c. Adjust engine speed.
9. A brief break-in period is essential to insure maximum engine and mower life. This consists of running the engine at half speed for a period of time required to use one tank of gasoline. It is also recommended to change crankcase oil after the first five hours of operation or as operating conditions dictate. Always check oil before operating the mower. BE SURE CRANKCASE IS FULL.
 10. Proper lubrication must be maintained at all times.
 11. Appropriate clothing should be worn when cutting brush or heavy weeds. Safety shoes and safety glasses are highly recommended.
 12. The engine is stopped by moving the throttle control lever to "STOP" position.

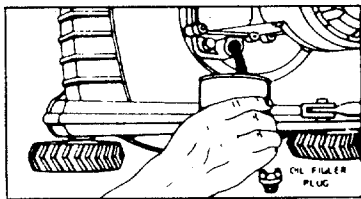
ADJUSTMENT

1. Handles may be adjusted by changing the position of the lower support mounting holes. When this change is made, it may also be necessary to check the adjustment of control rod. See Step 9 in ASSEMBLY INSTRUCTIONS
2. Control rod adjustments are made as shown in ASSEMBLY INSTRUCTIONS Steps 9 and 12.
3. Cutting height adjustment is made by removing and moving axle bolts to the desired positions. All axle bolts must be mounted in the same relative position to the deck. When wheels are mounted to the deck, **the crown shape washers must be assembled with the crown away from the deck.** This is necessary to prevent the axle bolts from loosening.
4. If throttle adjustment becomes necessary, the throttle control wire may be reset as follows:
 - a. Loosen, but do not remove, screw securing throttle control wire assembly at engine.
 - b. Move throttle control lever on handle to "CHOKE" position.
 - c. Move lever to which control wire is fastened to engine to full choke position. Retighten screw to secure throttle control wire assembly.

LUBRICATION

Important: Always stop engine and disconnect spark plug wire before cleaning, lubricating or doing any kind of work on the lawn mower.

1. **Wheels**—Front wheel bearings are of self-lubricating Fortiflex. They require no lubrication. Rear wheels of Lifetime graphoil bearings require little lubrication. A light film of oil applied to these bearings will reduce normal friction.
2. **Throttle**—Periodically lubricate throttle control lever and entire length of throttle wire assembly with a few drops of SAE 30 engine oil for ease of operation.
3. **Engine**—Follow engine manual for lubrication instructions. Check oil level before each mowing.
4. **Friction point between idler bracket assembly (Ref. No. 94) and deck** should be greased once each season with a multi-purpose grease.
5. **Blade Spindle Assembly**—The Blade Spindle Assembly is equipped with a grease fitting. Use grass discharge chute for access to the fitting located under the deck. Use multi-purpose grease. Lubricate PRIOR to initial use and every 25 hours thereafter. **Caution:** Be sure spark plug wire is disconnected and grounded.



NOTE: FILL AND DRAIN OIL FROM OIL FILL PLUG.

Always disconnect spark plug cable during repairs, refueling or changing oil. Engine oil may be drained through oil filler opening by tilting the mower on its side. Change oil after first 5 hours of operation while engine is warm. Thereafter, change oil every 25 hours of operation while engine is warm.

6. **Protective Shield**—The pivot points on the protective shield should be lubricated periodically with oil to prevent any rust or binding up.
7. **Chute Deflector**—The torsion spring and pivot point should be lubricated periodically with oil to prevent any rust or binding up. Deflector must work freely.

MAINTENANCE

Important: Always stop engine and disconnect spark plug wire before cleaning, lubricating or doing any kind of work on the lawn mower.

1. **Cutting Blade**—Remove all nuts and bolts holding the blade to the blade hub.

When sharpening blade, follow the original angle of grind as a guide. It is extremely important that each cutting edge receives an equal amount of grinding to prevent an unbalanced blade. An unbalanced blade will cause excessive vibration when rotating at high speeds and may cause damage to the mower. Upon reassembling, make certain all parts are assembled properly and tightened securely.

2. **Deck**—The underside of mower deck should be cleaned after each period of use as grass clippings, leaves, dirt and other matter accumulates. This accumulation of grass clippings, etc. is undesirable as it will invite rust and corrosion and may cause an uneven discharge of grass clippings at next cutting.

The deck may be cleaned by tilting the mower backward or on its side and scraping clean with a suitable tool or by washing with a stream of water from a garden hose. **Caution:** Do not direct the stream of water at a hot engine as damage to the engine may result.

3. **Belt replacement may be made as follows:**
 - a. Remove blade spindle cover.
 - b. Remove front belt guard.
 - c. Remove blade tension spring.
 - d. Loosen belt on bracket of idler bearing assembly.
 - e. Remove bracket lever assembly.
 - f. Remove damaged or worn belt.
 - g. Place new belt on engine pulley. Do not bend belt guard pins. Belt should be inside of pins.
 - h. Work belt to front and mount on blade spindle pulley. Replace front belt guard.
 - i. Replace brake lever assembly.
 - j. Slip belt on idler pulley between pulley and belt bracket.
 - k. Replace blade tension spring.
 - l. Move blade lockout handle to "ON" position.
 - m. Position belt bracket on idler pulley to clear the tightened belt. Secure belt bracket in position. See drawing on page 2.
 - n. Replace blade spindle cover.

NOTE

To insure safe operation of your unit, ALL nuts and bolts must be checked periodically for correct tightness.

4. Storage—The following steps should be taken to prepare the lawn mower for storage:
 - a. Clean and lubricate mower thoroughly as described in the preceding instructions.
 - b. Refer to engine manual for correct engine storage instructions.

- c. Coat mower's cutting blade with multi-purpose grease to prevent rusting.
- d. Place blocks under deck to raise tires clear of floor.

USING YOUR ROTARY MOWER

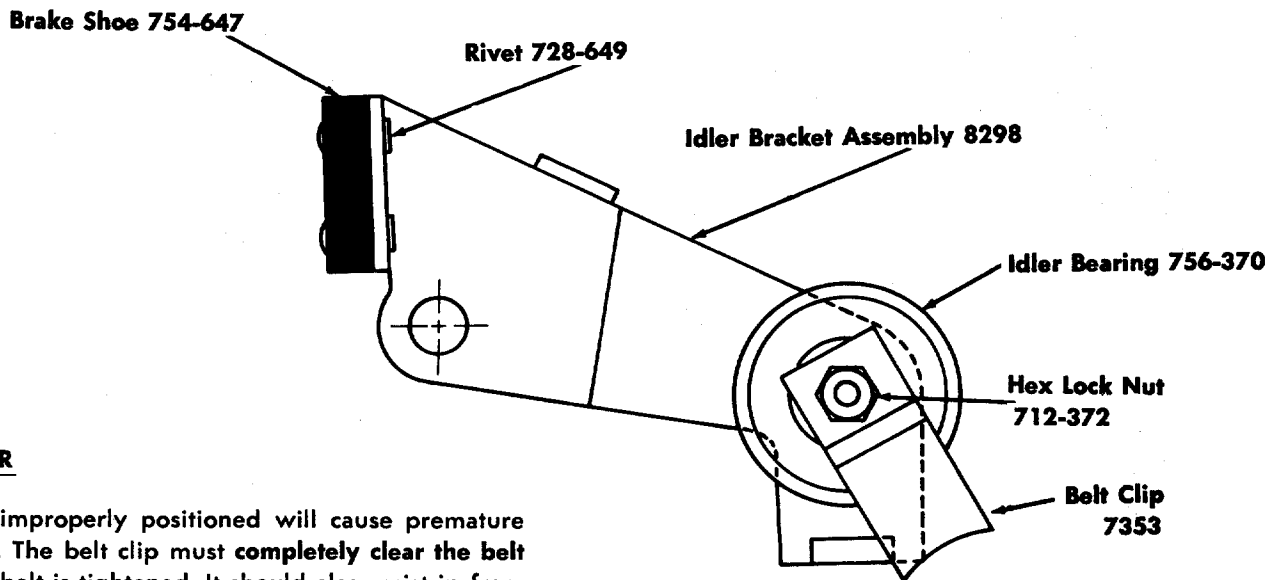
For best results do not cut wet grass because it tends to stick to the underside of the mower, thus preventing proper discharge of grass clippings. If wet grass must be cut, reduce walking speed to help distribute the clippings more effectively.

New grass should be treated as wet grass, otherwise a normal walking speed is about the right pace for efficient mowing.

The best mowing pattern is one that allows the clippings to discharge towards the uncut part of the lawn. This permits recutting of the clippings to further pulverize them. When cutting high weeds, discharge towards cut portion then recut at right angle to first direction.

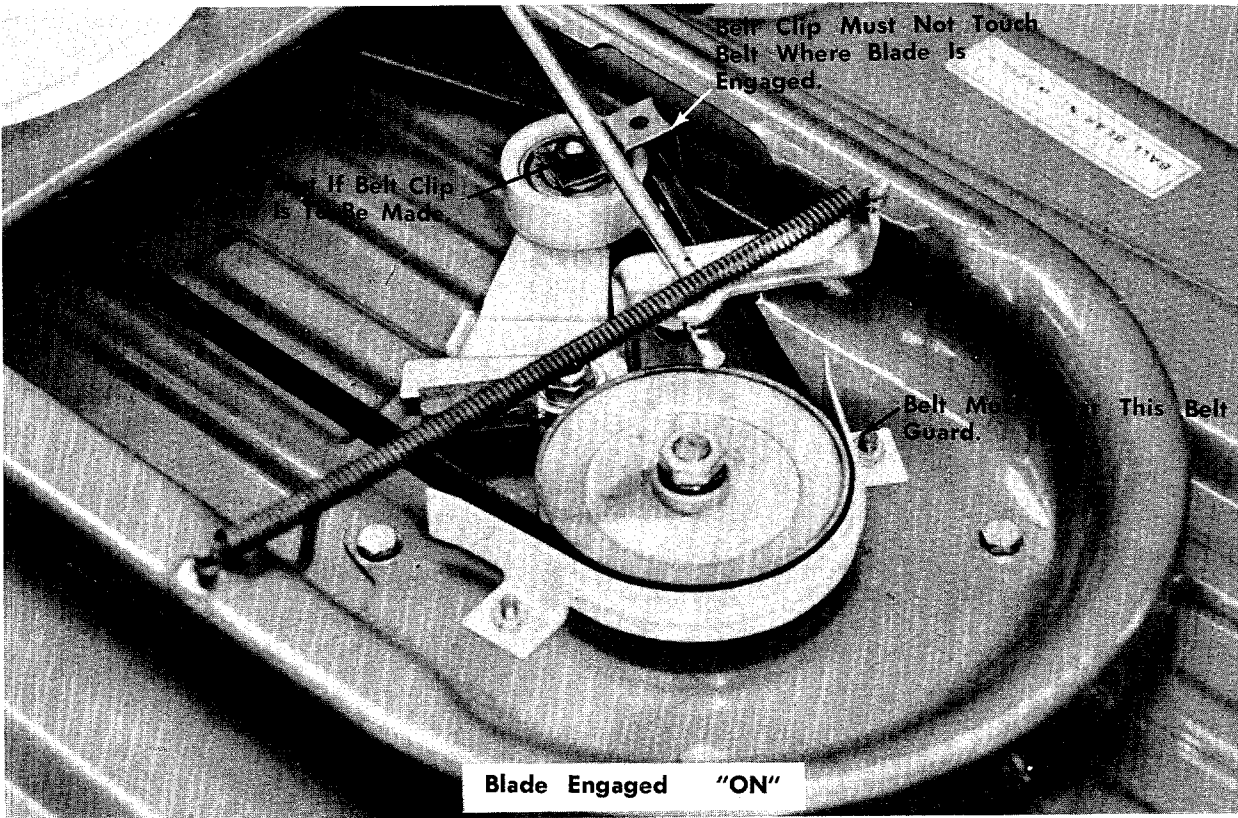
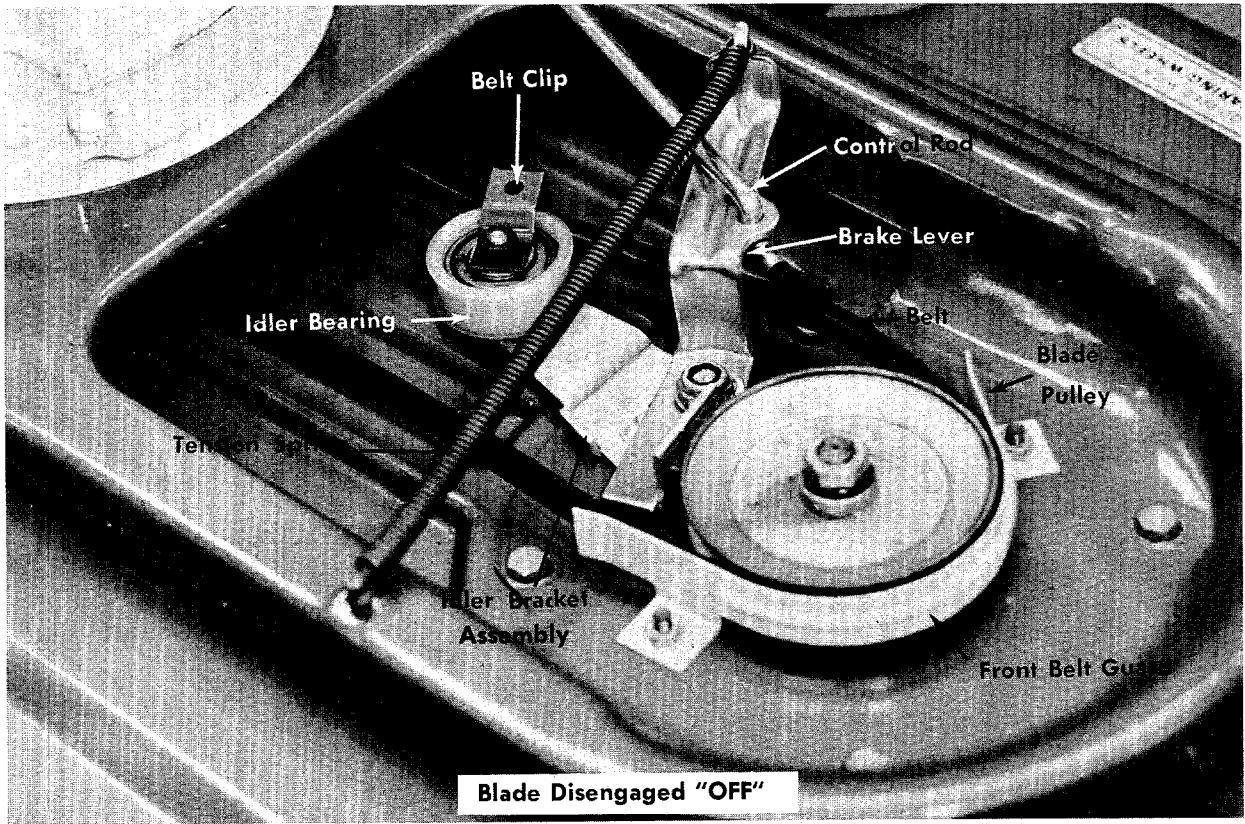
Lawns should be cut in fall as long as there is growth.

BLADE IDLER BRACKET ASSEMBLY DETAIL



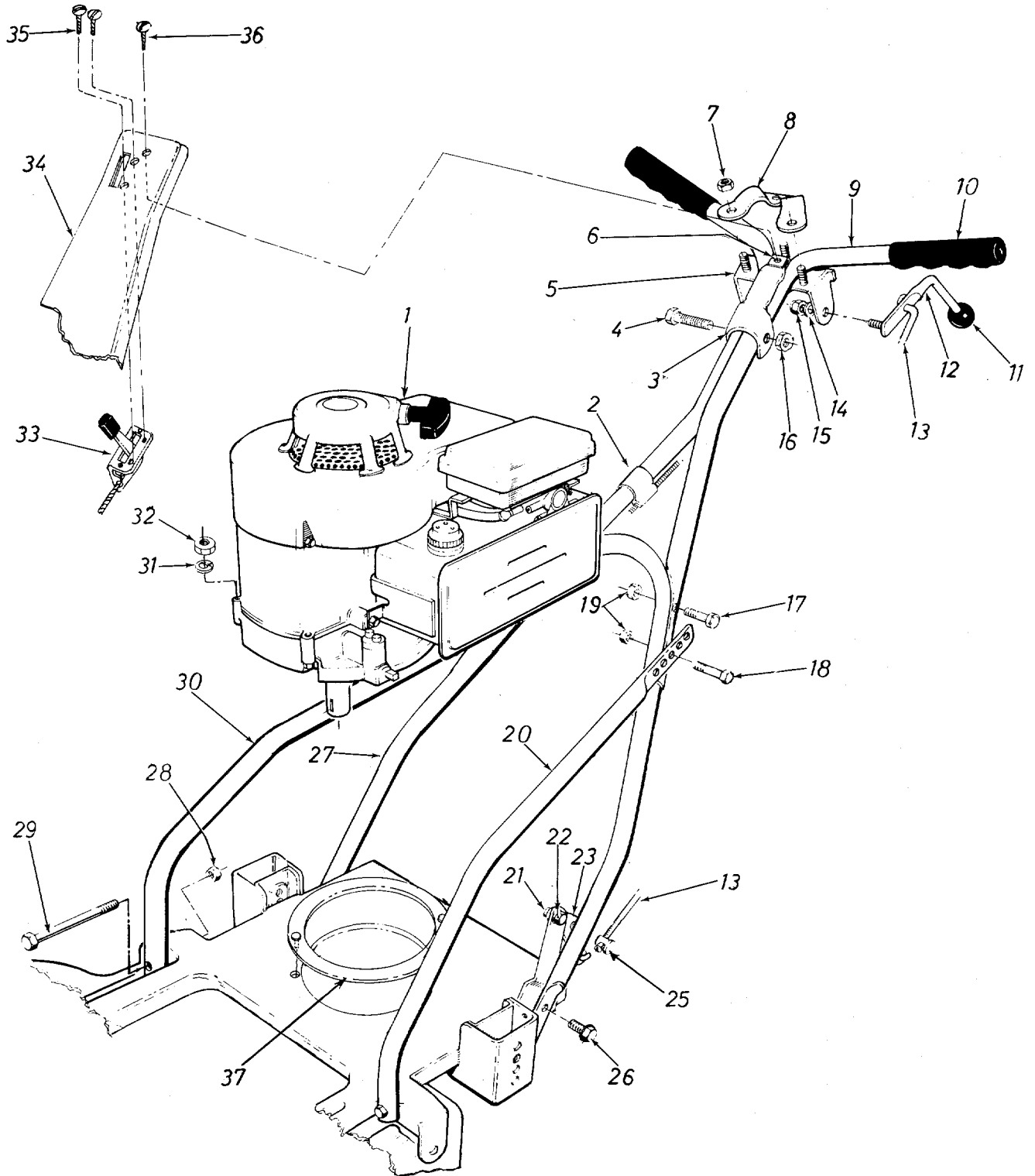
BELT WEAR

Belt clips improperly positioned will cause premature belt wear. The belt clip must **completely clear the belt** when the belt is tightened. It should also assist in freeing the belt from the blade spindle pulley when the belt is loose. This may be checked by removing the blade spindle cover.



114-530A

IF YOU WRITE TO US ABOUT THIS ARTICLE
OR IF YOU ORDER REPLACEMENT PARTS AL-
WAYS MENTION THIS MODEL & SERIAL NO
MODEL



PARTS LIST FOR MODEL 114-530A

REF. NO.	PART NO.	COLOR CODE	DESCRIPTION	NEW PART
1	—		Engine	
2	746-128		Cable Clip for 7/8" Tubing	
3	7861		Clamp Bracket	
4	710-606		Hex Scr. 1/4-20 x 1.50" Lg.*	
5	8376		Lockout Brkt. Ass'y.	
6	712-526		Speed Nut #10-24	
7	712-107		Hex Center Locknut 1/4-20 Thd.	
8	8378		Clamp Bracket	
9	9354		Upper Handle (2-Req'd.)	
10	720-157		Grip	
11	7889		Plastic Ball	
12	8373		Lockout Lever Ass'y. with Plastic Ball	
13	711-180		Control Rod	
14	736-108		Fl.-Wash. .510 I.D. x .750 O.D.	
15	712-107		Hex Center L-Nut 1/4-20 Thd.	
16	712-107		Hex Center L-Nut 1/4-20 Thd.	
17	710-606		Hex Scr. 1/4-20 x 1.50 Lg.	
18	710-606		Hex Scr. 1/4-20 x 1.50" Lg.*	
19	712-107		Hex Center L-Nut 1/4-20 Thd.	
20	8327		Lower Handle Support—L.H.	
21	712-130		Hex Inserted L-Nut 3/8-16 Thd.	
22	738-234		Shoulder Scr. .500" Dia. x .295	
23	9372		Pivot Bracket	
25	711-179		Adjustable Ferrule	
26	710-209		Hex Sems Scr. 3/8-16 x .62	
27	9362		Lower Handle	
28	712-107		Hex Center L-Nut 1/4-20 Thd.	
29	710-102		Hex Scr. 1/4-20 x 2.50" Lg.*	
30	8328		Lower Handle Support—R.H.	
31	736-119		L-Wash. 5/16	
32	712-123		Hex Nut 5/16-24	
33	746-171		Throttle	
34	11815—458		Control Panel	
35	710-407		Slot Hex Hd. Self Extr. Scr. #8-32 x .50	
36	710-192		Truss Mach. Scr. #10-24 x .38	
37	8325—458		Belt Trap Ass'y.	

*For faster service obtain standard nuts and bolts locally. If these items cannot be obtained locally, order by part number and size as shown on the parts list.

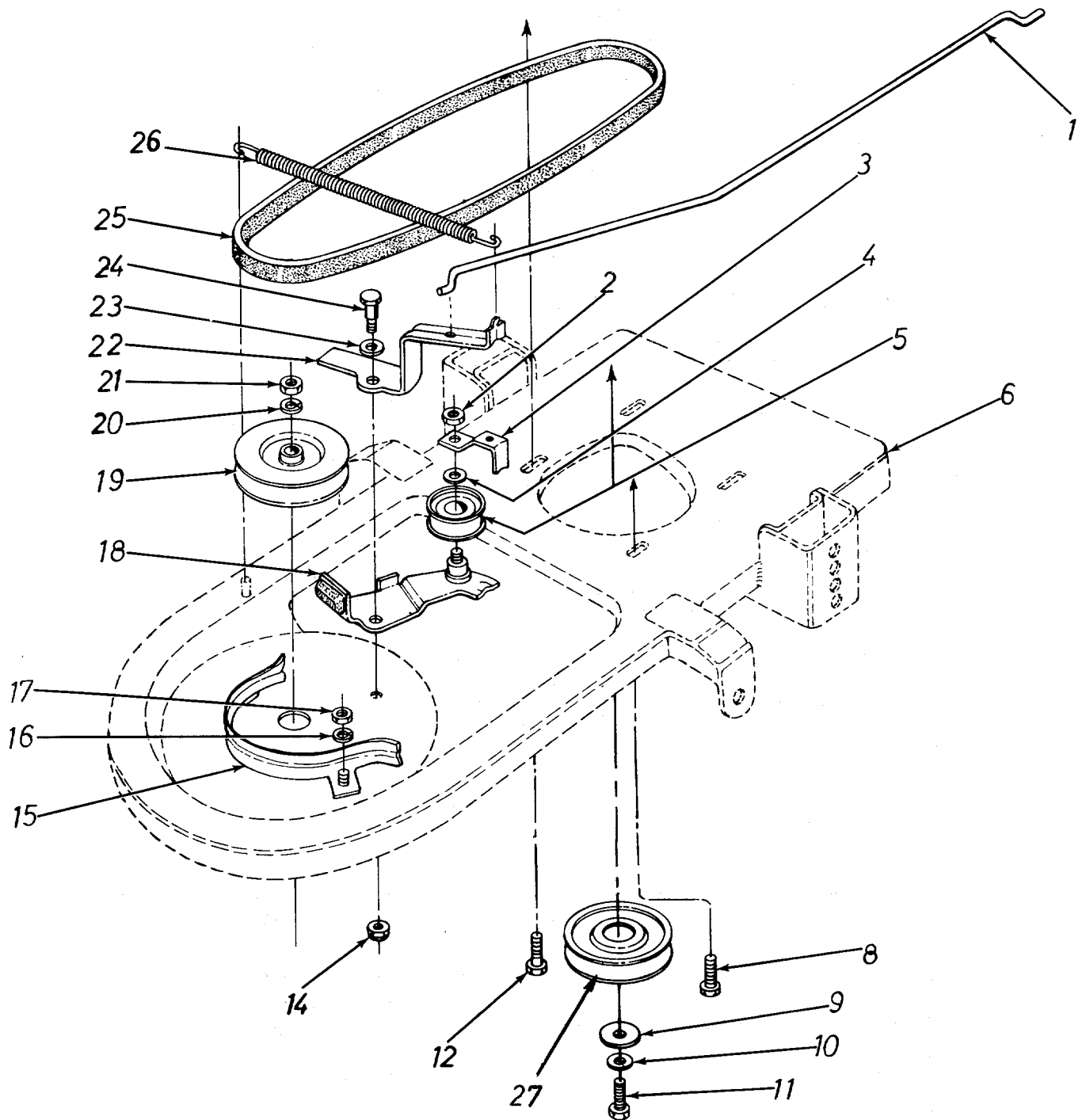
(458—Arctic Blue) When ordering parts, if color or finish is important, use the appropriate color code shown at left. (e.g. Arctic Blue—11815 (458))

The engine is not under warranty by the mower manufacturer. If repairs or service is needed on the engine, please contact your nearest authorized engine service outlet. Check the "Yellow Pages" of your telephone book under "Engines—Gasoline."



114-530A

IF YOU WRITE TO US ABOUT THIS ARTICLE
OR IF YOU ORDER REPLACEMENT PARTS AL-
WAYS MENTION THIS MODEL & SERIAL NO
MODEL-



PARTS LIST FOR MODEL 114-530A

REF. NO.	PART NO.	COLOR CODE	DESCRIPTION	NEW PART
1	9373		Control Rod	
2	712-130		Hex Ins. Jam Nut 3/8-24 Thd.	
3	4563		Belt Clip	
4	736-300		Fl.-Wash.	
5	756-199		Flat Idler with Flange	
6	11993—458		Frame Ass'y.	N
8	710-158		Hex Scr. 5/16-24 x 1.25	
9	736-235		Fl.-Wash. .406" I.D. x 1.25" O.D. x .164	
10	736-217		Spring L-Wash. 3/8" Scr. H.D.	
11	710-152		Hex Scr. 3/8-24 x 1.00" Lg. H.T.	
12	710-158		Hex Scr. 5/16-24 x 1.25	
14	712-130		Hex Ins. Jam Nut 3/8-24 Thd.	
15	8324—458		Belt Guard	
16	736-119		Spring L-Wash. 5/16" Scr.*	
17	712-123		Hex Nut 5/16-24	
18	12278		Idler Brkt. Ass'y. w. Brake Shoe	
19	9925		Sheave Ass'y.—4" Dia. (Blade Spindle)	
20	736-921		Spring L-Wash. 1/2" Scr.*	
21	712-922		Hex Jam Nut 1/2-20 Thd.	
22	9371		Brake Lever	
23	736-108		Fl.-Wash. .510" I.D. x .75" O.D. x .033	
24	738-234		Shoulder Scr .500" Dia. x .295	
25	754-109		"V"-Belt 1/2" x 43" Lg.	
26	732-158		Blade Tension Spring	
27	756-206		Engine Pulley 4.00" O.D.	

*For faster service obtain standard nuts and bolts locally. If these items cannot be obtained locally, order by part number and size as shown on the parts list.

(458—Arctic Blue)

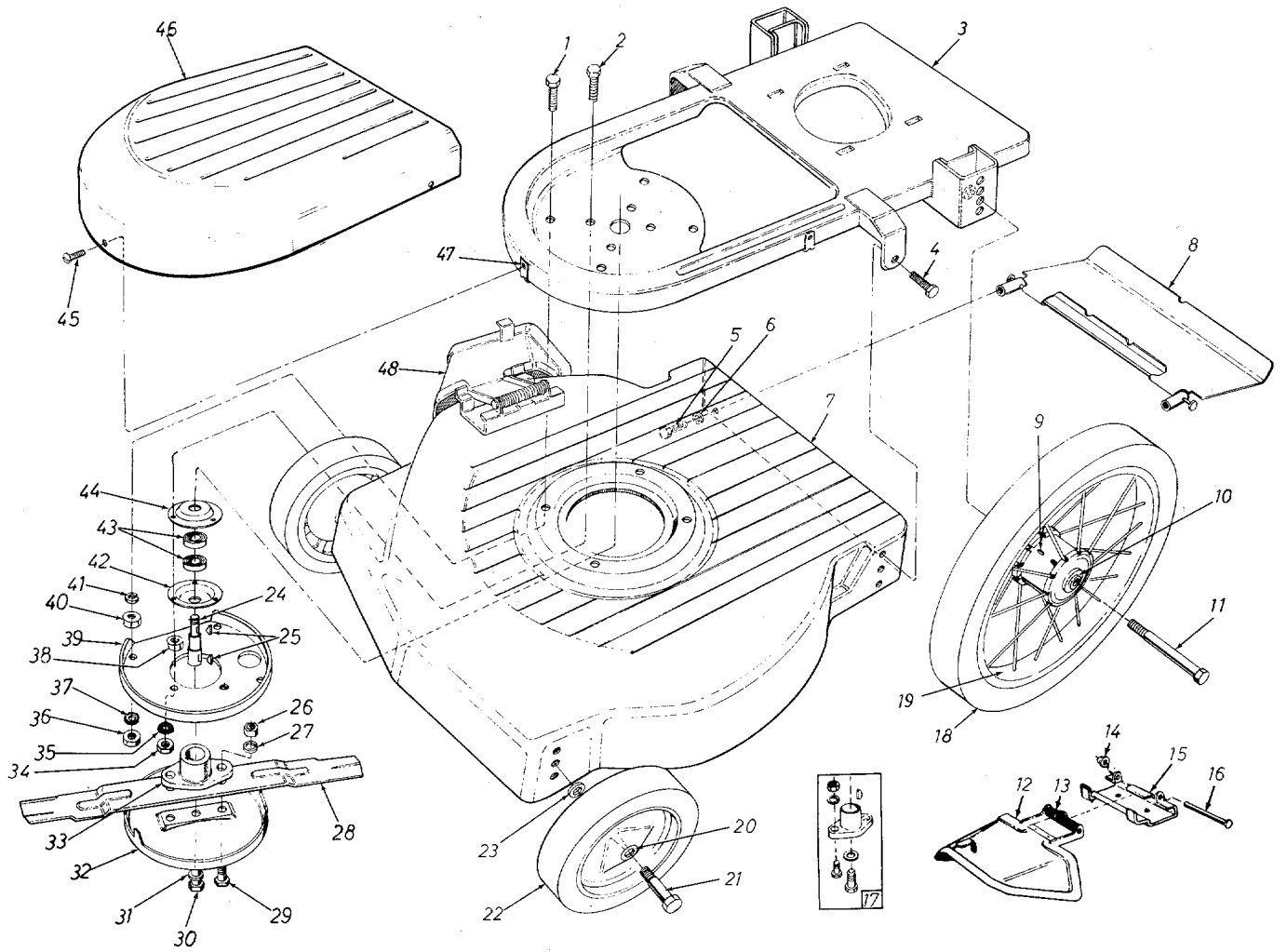
When ordering parts, if color or finish is important, use the appropriate color code shown at left. (e.g. Arctic Blue—11815 (458))

The engine is not under warranty by the mower manufacturer. If repairs or service is needed on the engine, please contact your nearest authorized engine service outlet. Check the "Yellow Pages" of your telephone book under "Engines—Gasoline."



114-530A

IF YOU WRITE TO US ABOUT THIS ARTICLE
OR IF YOU ORDER REPLACEMENT PARTS AL-
WAYS MENTION THIS MODEL & SERIAL NO
MODEL



PARTS LIST FOR MODEL 114-530A


REF. NO.	PART NO.	DESCRIPTION	NEW PART
1	710-117	Hex Scr. 5/16-24 x 1.00" H.T.	
2	710-158	Hex Scr. 5/16-24 x 1.25" Lg.*	
3	11993	Frame Ass'y.	
4	710-209	Hex Sems Scr. 3/8-16 x .62" Lg.*	
5	710-567	Hex Sems Scr. 1/4-28 x 5/8" Lg.	
6	712-107	Hex Cent. L-Nut 1/4-20	
7	11650	Deck Ass'y.—22 in.	
8	11193	Protective Shield Ass'y.—Comp.	
9	718-132	Oil Cap	
10	741-113	Ball Brg. .504 I.D. x 1.38 Dia.	
11	738-114	Should. Scr. .498" Dia. x 4.755"	
12	11679—458	Chute Deflector Ass'y.	
13	732-253	Torsion Spring	
14	726-106	Push Cap	
15	11130—458	Adapter Plate	
16	711-555	Pivot Pin	
17	10769	Blade Adapter Kit	
18	734-439	16" Rear Wheel Ass'y.—Comp.	
19	734-180	16" Rear Wheel—Less Tire	
	734-392	Semi Pneumatic Tire 16 x 1.75	
20	741-178	Ball Brg. .38 I.D.	
21	710-427	Hex Scr. 3/8-16 x 2.00" Lg.*	N
22	734-642	Front Wheel Ass'y. Comp.	N
23	736-105	Belleville Washer	
24	738-251	Blade Spindle	N
25	714-365	#6 Hi-Pro Key 5/32 x 5/8" Dia.	
26	712-123	Hex Nut 5/16-24 Thd.*	
27	736-119	L-Wash. 5/16" Scr.*	
28	742-125	22" Blade	
29	710-117	Hex Scr. 5/16-24 x 1.00" H.T.	
30	710-459	Hex Scr. 3/8-24 x 1.50" Lg. H.T.	
31	736-217	Spring L-Wash. 3/8" Scr. H.D.	
32	7919	Scalp Plate	
33	10769	Blade Adapter Kit	
34	712-123	Hex Nut 5/16-24 Thd.*	
35	736-119	L-Wash. 5/16" Scr.*	
36	712-123	Hex Nut 5/16-24 Thd.*	
37	736-119	Spring L-Wash. 5/16" Scr.*	
38	712-123	Hex Nut 5/16-24 Thd.*	
39	12281	Blade Reinforcement Plate	N
40	712-123	Hex Nut 5/16-24 Thd.*	
41	736-119	L-Wash. 5/16" Scr.*	
42	8253	Bearing Housing	
43	741-919	Ball Bearing	
44	8253	Bearing Housing	
45	710-192	Truss Hd. Mach. Scr. 10-24x.38 Lg.	
46	8295—458	Blade Spindle Cover	
47	712-526	Speed Nut #10-24	
48	11679—458	Chute Deflector Ass'y.—Comp.	

*For faster service obtain standard nuts and bolts locally. If these items cannot be obtained locally, order by part number and size as shown on the parts list.

(458—Arctic Blue) When ordering parts, if color or finish is important, use the appropriate color code shown at left. (e.g. Arctic Blue—11815 (458))

The engine is not under warranty by the mower manufacturer. If repairs or service is needed on the engine, please contact your nearest authorized engine service outlet. Check the "Yellow Pages" of your telephone book under "Engines—Gasoline."

**Find It Fast
In The
"Yellow Pages"**



NOTE

The manufacturer DOES NOT recommend the use of any accessory on this rotary mower other than those manufactured by MTD Products Inc.

GRASS CATCHER Model No. 194-003A is available as optional equipment for the mowers shown in this manual.

WARNING:

1. The mower should not be operated without the entire grass catcher or chute deflector in place.
2. The mower should not be operated without the protective shield on the rear of the deck in place.

NOTE:

Under normal usage bag material is subject to wear and should be checked periodically. Be sure any replacement bag complies with the mower manufacturer's recommendations.

For replacement bags, use only factory authorized replacement bag No. 764-119.

★ IMPORTANT

After striking a foreign object, stop the engine (motor), remove wire from spark plug. Thoroughly inspect the mower for any damage, and repair the damage before restarting and operating the mower.

PARTS INFORMATION

DEFECTIVE OR MISSING PARTS must be reported to the factory immediately. Such claims must include your model number and date of purchase.

POWER EQUIPMENT PARTS AND SERVICE

Parts and service for all MTD manufactured power equipment are available through the authorized service firms listed below. All orders should specify the model number of your unit, parts numbers, description of parts and the quantity of each part required.

A 1 Engine & Mower Co.
327 East 9th Street
Salt Lake City, Utah 84102

American Electric Ignition Co.
124 N. W. 8th Street
Oklahoma City, Oklahoma 73102

Auto Electric & Carburetor Co.
2325 4th Avenue, S.
P. O. Box 1948
Birmingham, Alabama 35233

Automotive Equipment Service Co.
3117 Holmes Street
Kansas City, Missouri 64109

Bailey's Rebuild Inc.
1325 E. Madison Street
Seattle Washington 98102

Bleckie, Inc.
7900 Lorain Avenue
Cleveland, Ohio 44102

Brown Equipment Distributor Inc.
110 Beech Street
Corydon, Indiana 47112

Bullard Supply
2409 Commerce Street
Houston, Texas 77003

Carl A. Anderson Co.
623 S. 16th Street
Omaha, Nebraska 68102

Catto & Putty, Inc.
P. O. Box 2408
510 Soledad Street
San Antonio, Texas 78205

Center Supply Company
6867 New Hampshire Avenue
Takoma Park, Maryland 20012

Dixie Sales Company
P. O. Box 1408
327 Battleground Avenue
Greensboro, North Carolina 27402

East Point Cycle & Key Shop
1617 Whiteway
East Point, Georgia 30044

Gamble Distributors
West End Avenue
Carthage, New York 13619

Garden Equipment Co., Inc.
6600 Cherry Avenue
Long Beach, California 90805

Gardenville Supply, Inc.
Pipersville, Pennsylvania 18947

Henry W. O'Neil & Assoc., Inc.
410 North Goodman Street
Rochester, New York 14609

Henzler, Inc.
2015 Lemay Ferry Road
St. Louis, Missouri 63125

Kenton Supply
8216 North Denver Avenue
Portland, Oregon 97217

Kimber's Inc.
115 W. Geddes St.
Syracuse, New York 13204

The Lawnmower Shop
1340 El Camino Real
San Carlos, California 94070

Marr Brothers
423 E. Jefferson
Dallas, Texas 75203

Mathews Auto Electric Co.
420 East 2nd Street
Tulsa Oklahoma 74120

McClure Lawn & Garden Supply
1114 Lexington Avenue
Mansfield, Ohio 44907

Memphis Cycle & Supply Co.
421 Monroe Avenue
Memphis Tennessee 38103

Morton B. Collins Co.
300 Birnie Avenue
Springfield, Massachusetts 01107

Moz-All of Florida, Inc.
365 Greco Avenue
Coral Gables, Florida 33146

BRIGGS & STRATTON, TECUMSEH AND PEERLESS PARTS AND SERVICE

Briggs & Stratton, Tecumseh and Peerless parts and service should be handled by your nearest authorized engine service firm. Check the yellow pages of your telephone directory under the listing *Engines - Gasoline*, Briggs & Stratton or Tecumseh Lauson - Power Products.

National Central, Div. of
Joe Sterling, Inc.
Drawer "D" 687 Seville Rd.
Wadsworth, Ohio 44281

Parts & Sales Inc.
2101 Industrial Pkwy.
Elkhart, Indiana 46514

Power Equipment Distributor
36463 So. Gratiot Avenue
Mt. Clemens, Michigan 48043

Power Lawn & Garden Equip. Co.
2551-2571 J. F. Kennedy Road
Dubuque, Iowa 52001

Radco Distributors
2403 Market Street
P. O. Box 3216
Jacksonville, Florida 32206

Raub Supply Company
James & Mulberry Sts.
Lancaster, Pennsylvania 17604

Richmond Battery & Ignition
P. O. Box 25369 - 957 Myers St.
Richmond, Virginia 23260

Smith Hardware Company
515 N. George Street
Goldsboro, North Carolina 27530

South Denver Lawn Equip. Co.
527 West Evans
Denver, Colorado 80223

Suhren Engine
8330 Earhart Blvd.
New Orleans, Louisiana 70118

Sutton's Lawn Mower Shop
Route 4, Box 343
North Little Rock, Arkansas 72117

Warner Equipment
7520 Lyndale Avenue, So.
Minneapolis, Minnesota 55423

Woodson Sales & Service
1702 North Sylvania
Ft. Worth, Texas 76111

WARRANTY PARTS AND SERVICE POLICY

The purpose of warranty is to protect the customer from defects in workmanship and materials, defects which are NOT detected at the time of manufacture. It does not provide for the unlimited and unrestricted replacement of parts. Use and maintenance are the responsibility of the customer. The manufacturer cannot assume responsibility for conditions over which it has no control. Simply put, if it's the manufacturer's fault, it's the manufacturer's responsibility; if it's the customer's fault, it's the customer's responsibility.

CLAIMS AGAINST THE MANUFACTURER'S WARRANTY INCLUDES

1. Replacement of Missing Parts on new equipment.
2. Replacement of Defective Parts within the warranty period.
3. Repair of Defects within the warranty period.

All claims MUST be substantiated with the following information:

1. Model Number of unit involved.
2. Date unit was purchased or first put into service.
3. Date of failure.
4. Nature of failure.

